

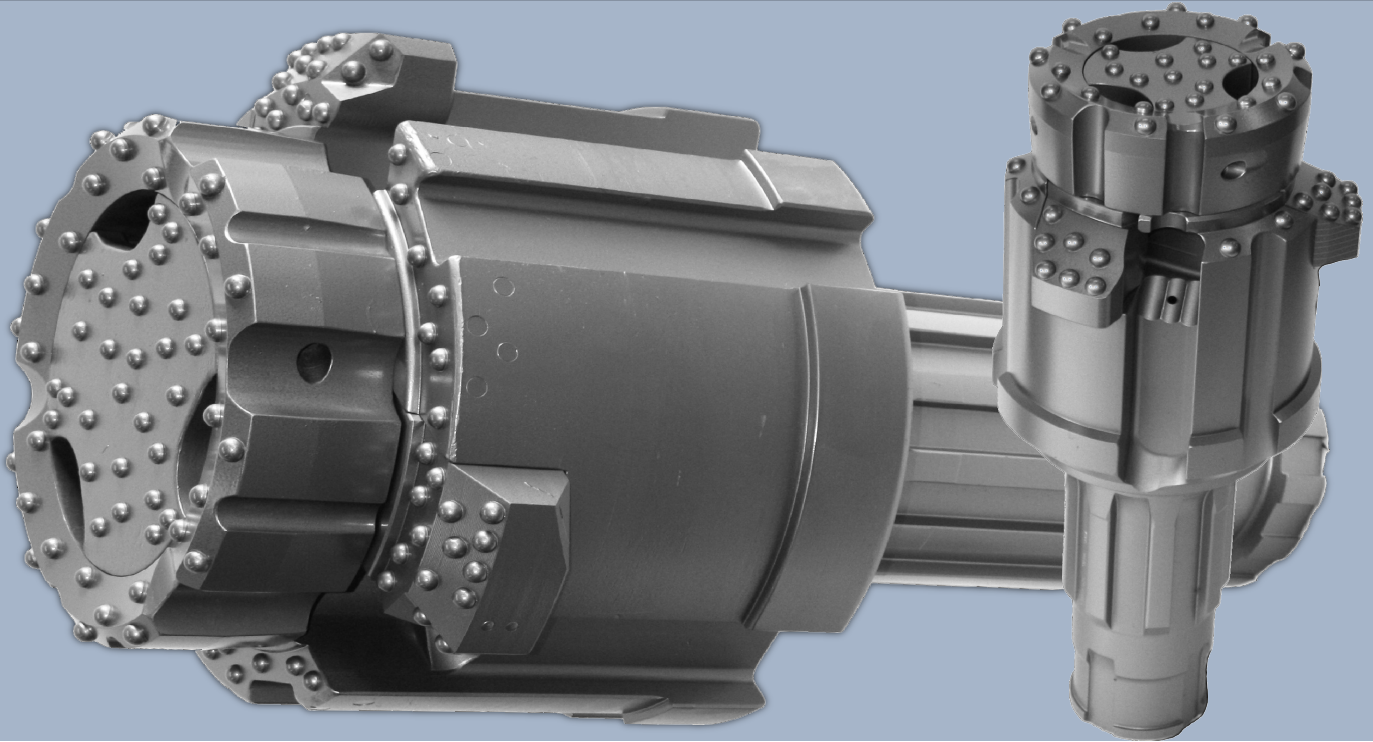


CDS-R

THE NEW OVERBURDEN DRILLING SYSTEM



CDS-R



Introducing the CDS-R Overburden Drilling System

Drilling through loose material such as sand, clay or boulders can be problematic. Most of the Earth's surface is covered by this overburden material that may often collapse behind the drill bit resulting in loss of the hole and potential loss of the drill string.

The concentric CDS-R overburden drilling system range has been designed to allow continuous casing of a hole, through loose overburden material, down to and into solid bedrock. The CDS-R is the ideal overburden drilling system for many ground engineering applications including well drilling, underpinning, anchoring and piling. The extended pilot bit design of the CDS-R helps to maintain a straighter, more accurate, hole which is essential, particularly in angled holes.

The CDS-R is available in different sizes to suit a wide range of DTH hammers and for optimal performance.

Key Features

- Continuous Drilling & Casing System
- Available In Sizes From 235mm To 745mm
- Designed For Lower Maintenance Costs
- Improved Hole Alignment
- Easy To Replace Ring & Segments
- Recommended for Piling & Foundation Work
- Different Shank Types Available To Suit Most DTH Hammers

Experts In Rock Drilling



Product Ordering Information

Product and technical information for complete CDS-R systems is listed below. For ordering information, please contact us for details. More product information such as operator's manuals and technical brochures can be downloaded directly from our website, www.bulroc.com.

Product	Hole Diameter	Casing Sizes (OD x ID)	Shank Types
CDS 235R	296mm	273mm x 254mm	DHD380/SD8/QL80
CDS 240R	296mm	273mm x 260mm	DHD380/SD8/QL80
CDS 280R	345mm	324mm x 305mm	SD10/N100
CDS 365R	425mm	406mm x 387mm	SD12/N120/N125
CDS 460R	530mm	508mm x 483mm	SD12/N125
CDS 510R	583mm	559mm x 533mm	SD18/N180/QL200
CDS 560R	640mm	610mm x 590mm	SD18/N180/QL200
CDS 610R	695mm	659mm x 633mm	SD18/N180/QL200/N240
CDS 745R	840mm	813mm x 780mm	N240

Experts In Rock Drilling